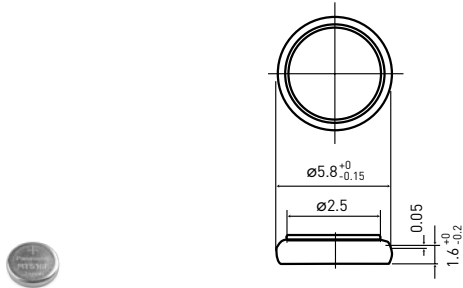


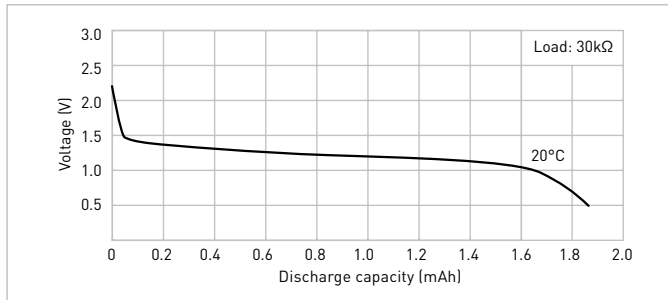
MT-516

DIMENSIONS (MM)

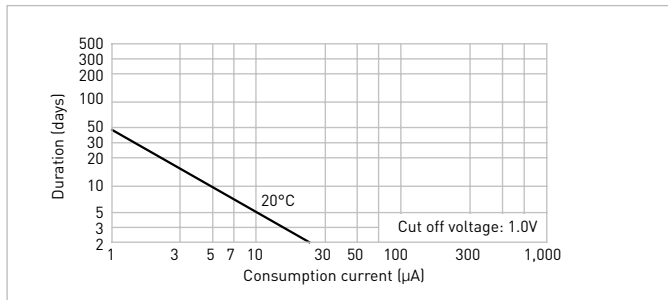


Model number	MT-516
Nominal voltage (V)	1.5
Nominal capacity (mAh)	1.8
Diameter (mm)	5.8
Total height (mm)	1.6
Discharging temperature range (°C)	-10 to +60
Weight (g)	0.2

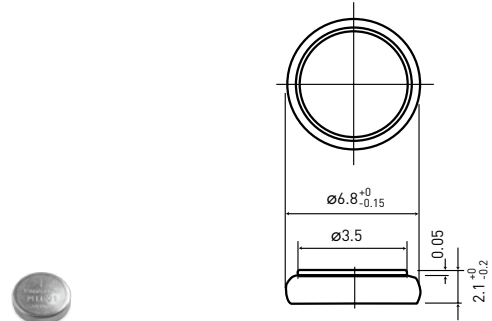
DISCHARGE CHARACTERISTICS



CONSUMPTION CURRENT VS. DURATION TIME

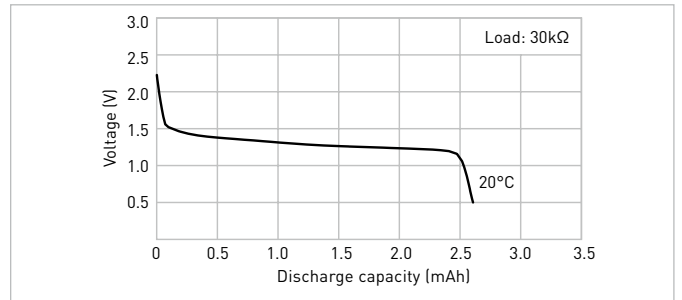


MT-621



Model number	MT-621
Nominal voltage (V)	1.5
Nominal capacity (mAh)	2.5
Diameter (mm)	6.8
Total height (mm)	2.1
Discharging temperature range (°C)	-10 to +60
Weight (g)	0.3

DISCHARGE CHARACTERISTICS



CONSUMPTION CURRENT VS. DURATION TIME

