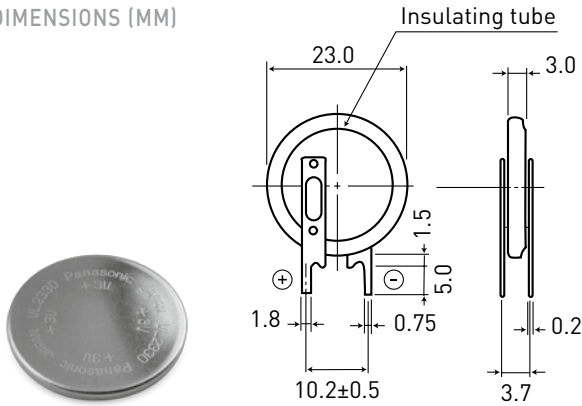


### 3 VANADIUM RECHARGEABLE LITHIUM BATTERIES (VL SERIES)

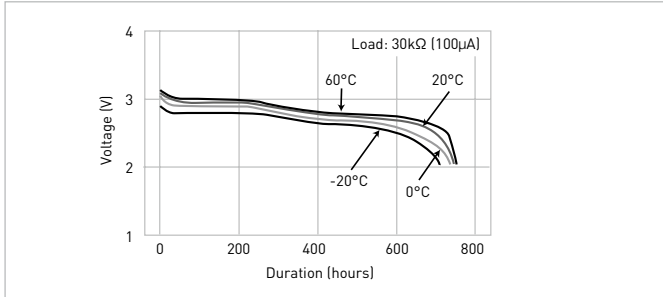
#### VL-2330

DIMENSIONS (MM)

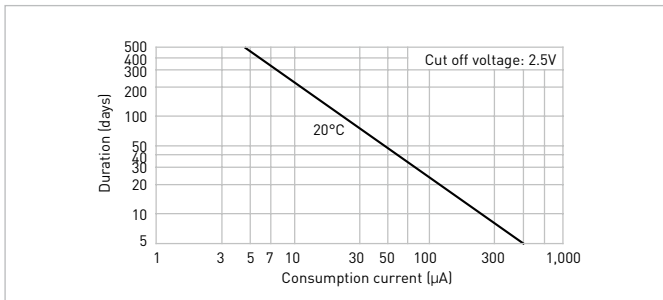


Model number	VL-2330
Nominal voltage (V)	3
Nominal capacity (mAh)	50.0
Diameter (mm)	23.0
Total height (mm)	3.0
Discharging temperature range (°C)	-20 to +60
Weight (g)	3.5

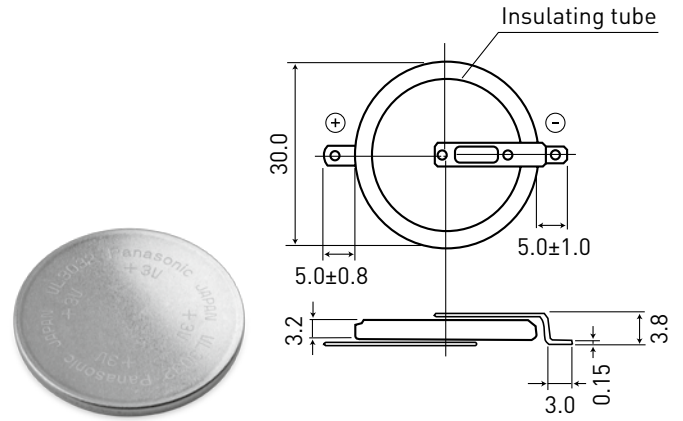
#### DISCHARGE TEMPERATURE CHARACTERISTICS



#### CONSUMPTION CURRENT VS. DURATION TIME

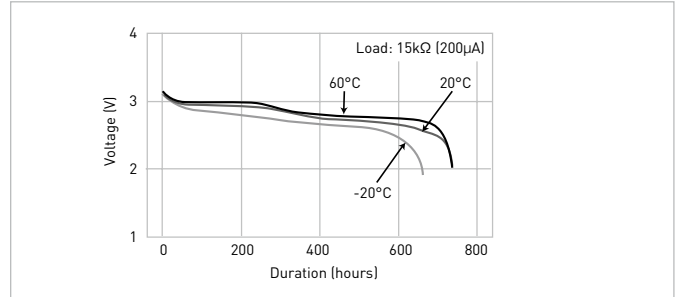


#### VL-3032



Model number	VL-3032
Nominal voltage (V)	3
Nominal capacity (mAh)	100.0
Diameter (mm)	30.0
Total height (mm)	3.2
Discharging temperature range (°C)	-20 to +60
Weight (g)	6.2

#### DISCHARGE TEMPERATURE CHARACTERISTICS



#### CONSUMPTION CURRENT VS. DURATION TIME

