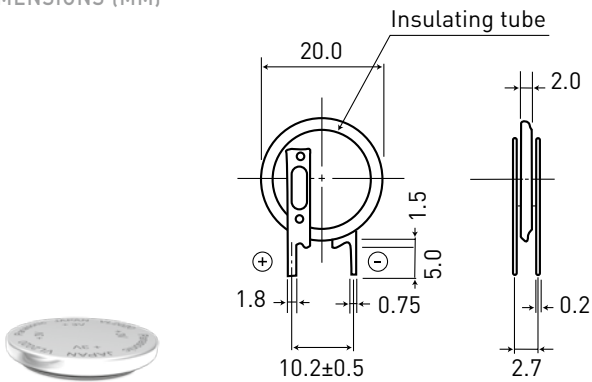


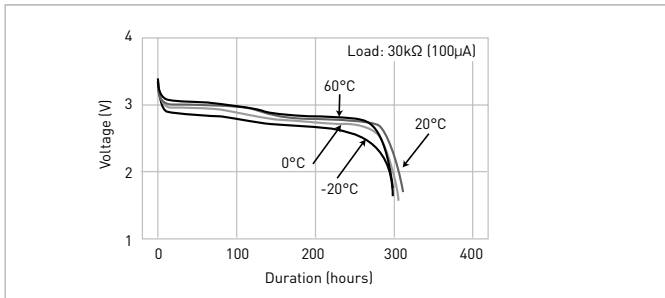
VL-2020

DIMENSIONS (MM)

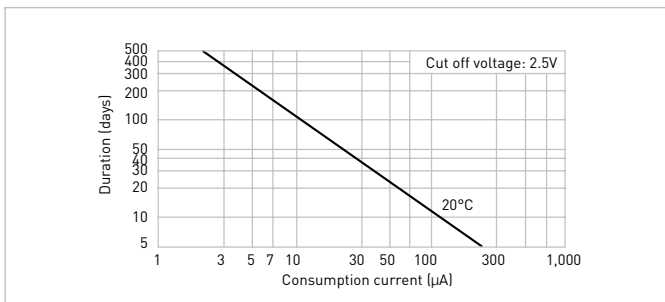


Model number	VL-2020
Nominal voltage (V)	3
Nominal capacity (mAh)	20.0
Diameter (mm)	20.0
Total height (mm)	2.0
Discharging temperature range (°C)	-20 to +60
Weight (g)	2.2

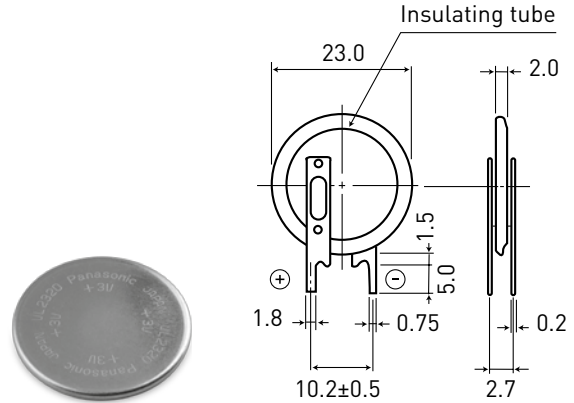
DISCHARGE TEMPERATURE CHARACTERISTICS



CONSUMPTION CURRENT VS. DURATION TIME

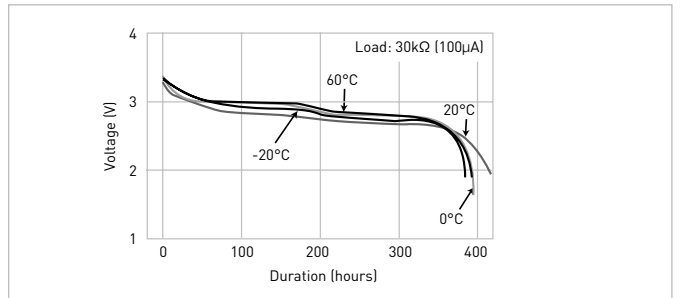


VL-2320



Model number	VL-2320
Nominal voltage (V)	3
Nominal capacity (mAh)	30.0
Diameter (mm)	23.0
Total height (mm)	2.0
Discharging temperature range (°C)	-20 to +60
Weight (g)	2.7

DISCHARGE TEMPERATURE CHARACTERISTICS



CONSUMPTION CURRENT VS. DURATION TIME

