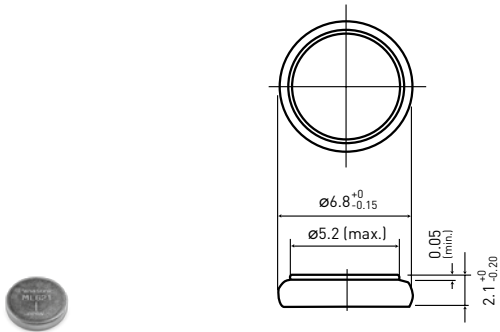


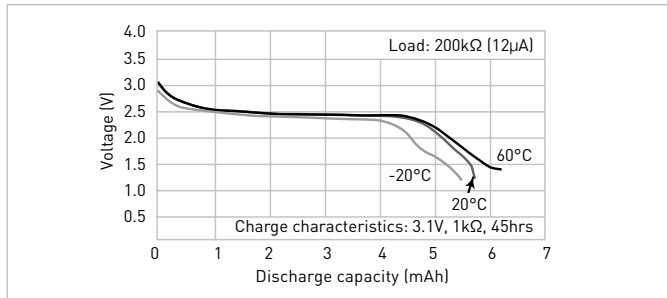
ML-621

DIMENSIONS (MM)

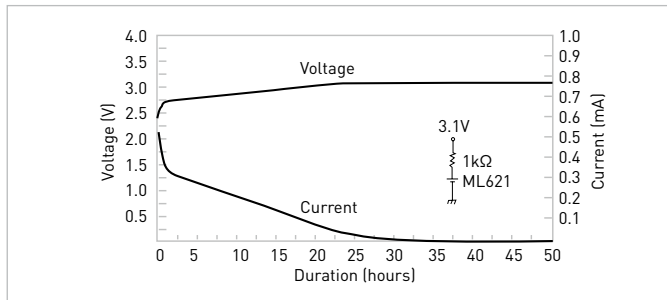


Model number	ML-621
Nominal voltage (V)	3
Nominal capacity (mAh)	5.0
Diameter (mm)	6.8
Total height (mm)	2.1
Discharging temperature range (°C)	-20 to +60
Weight (g)	0.2

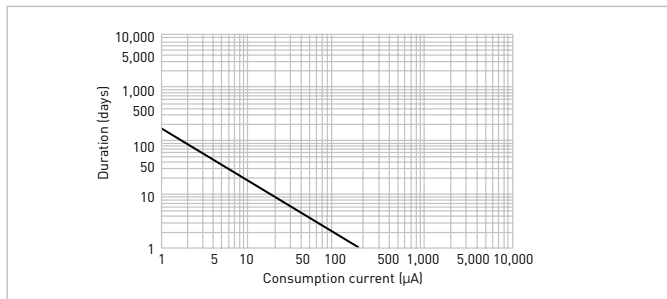
DISCHARGE CHARACTERISTICS



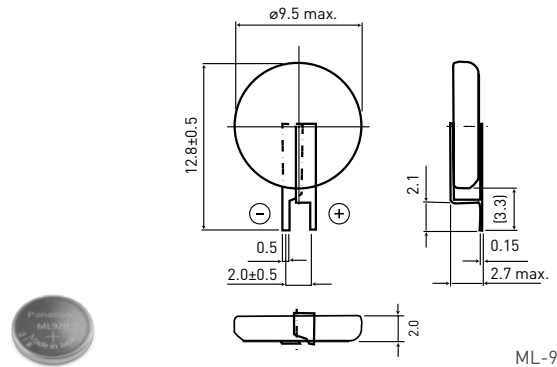
CHARGE CHARACTERISTICS



CONSUMPTION CURRENT VS. DURATION TIME



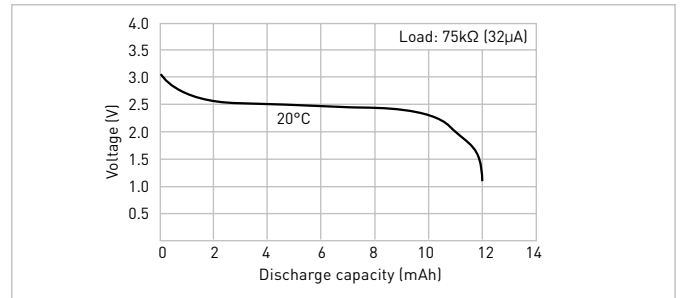
ML-920



ML-920/DN

Model number	ML-920
Nominal voltage (V)	3
Nominal capacity (mAh)	11.0
Diameter (mm)	9.5
Total height (mm)	2.0
Discharging temperature range (°C)	-20 to +60
Weight (g)	0.4

DISCHARGE CHARACTERISTICS



CONSUMPTION CURRENT VS. DURATION TIME

