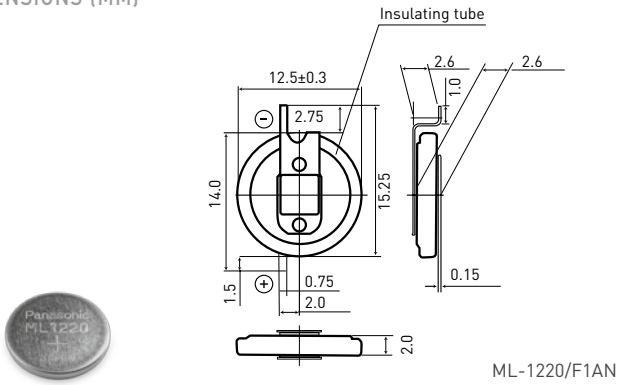


3 MANGANESE RECHARGEABLE LITHIUM BATTERIES (ML SERIES)

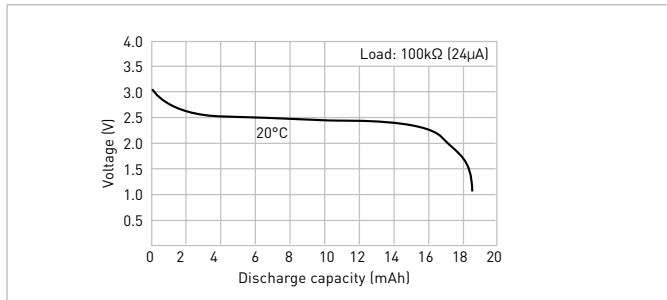
ML-1220

DIMENSIONS (MM)

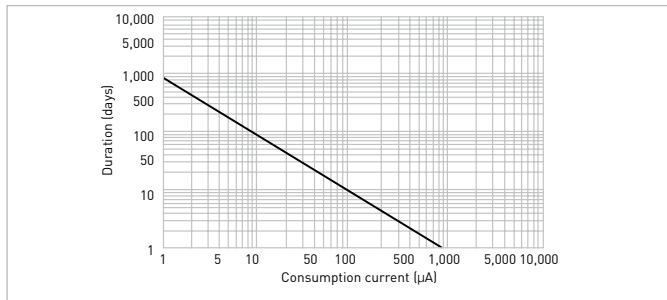


Model number	ML-1220
Nominal voltage (V)	3
Nominal capacity (mAh)	17.0
Diameter (mm)	12.5
Total height (mm)	2.0
Discharging temperature range (°C)	-20 to +60
Weight (g)	0.8

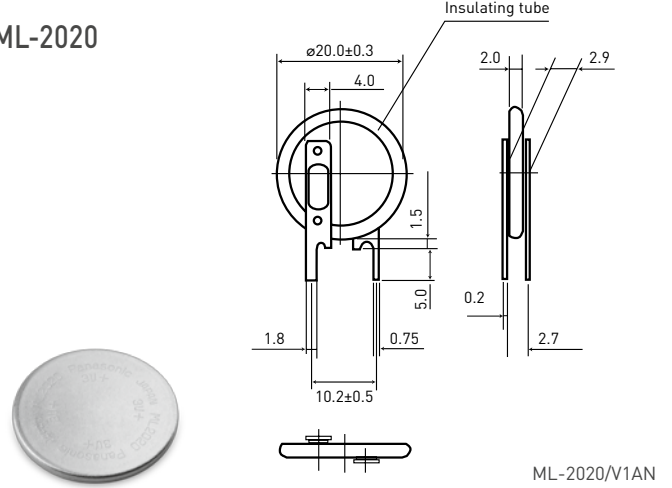
DISCHARGE CHARACTERISTICS



CONSUMPTION CURRENT VS. DURATION TIME

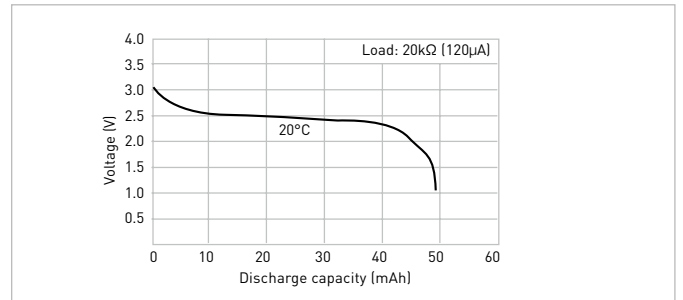


ML-2020



Model number	ML-2020
Nominal voltage (V)	3
Nominal capacity (mAh)	45.0
Diameter (mm)	20.0
Total height (mm)	2.0
Discharging temperature range (°C)	-20 to +60
Weight (g)	2.2

DISCHARGE CHARACTERISTICS



CONSUMPTION CURRENT VS. DURATION TIME

